

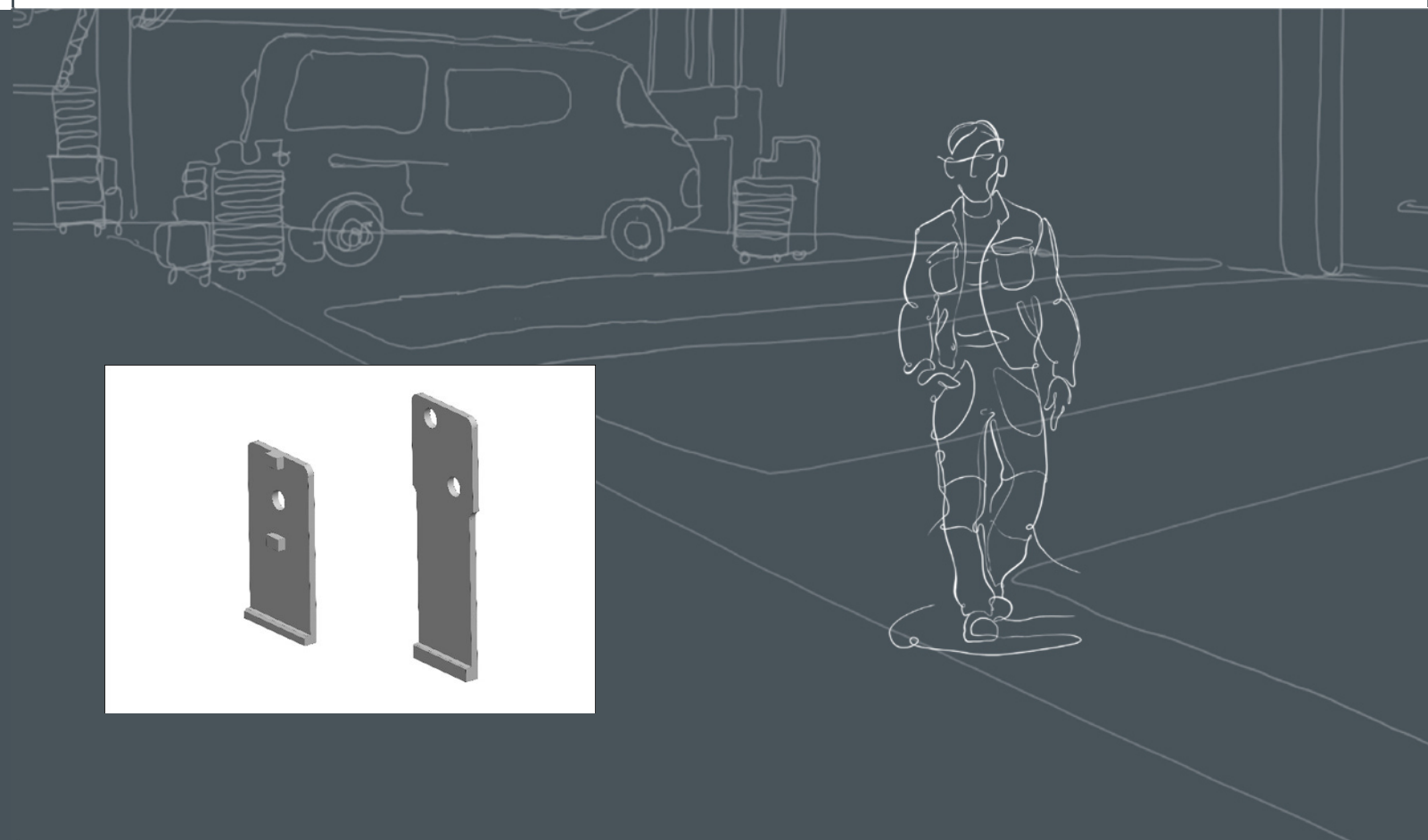
Volkswagen Aktiengesellschaft
K-GVO-LW
Konzern After Sales – Group Service,
Literatur und Systeme
Werkstattsausrüstung
Brieffach 011/4915
38442 Wolfsburg

For internal use only Subject to
technical changes Status 09/2023

Volkswagen Aktiengesellschaft
K-GVO-LW
Group After Sales – Group Service,
Literature and Systems
Workshop Equipment
Letter Box 011/4915
38442 Wolfsburg

For internal use only
Technical amendments possible
Status 09/2023

VOLKSWAGEN
AKTIENGESELLSCHAFT



Original operating instructions


Hook - T40424/7



Content

Explanation of the symbols	1
General information	2
General safety instructions	3
Operation	4
Inspection and maintenance instructions	5
Declaration of conformity	6

Explanation of the symbols

 Warning	<p>Indicates a hazard with a medium degree of risk which, if not avoided, may result in death or serious injury.</p>
Notice	<p>Denotes application tips and other useful information</p>
CAUTION	<p>Indicates a hazard with a low level of risk which, if not avoided, may result in minor or moderate injury or damage to the product or its surroundings.</p>
DANGER	<p>Indicates a hazard with a high degree of risk which, unless avoided, may result in death or serious injury.</p>

General information

Product name:	Hook
Product type:	Load-carrying attachment
Product number:	T40424/7
Dead weight:	0.2 kg
max. load capacity:	30 kg
Coefficient for static test:	3,0

Intended use:

The hooks T40424/7 are a load handling attachment for disassembling and lifting loads defined in the repair guidelines of the Volkswagen AG brands.

The HV battery module may only be removed from the battery tray using the module remover T40424 provided for this purpose.

The centre of gravity of the load should be as central as possible.

Conditions of use:

- For qualified workshop personnel only.
- Use only for work approved by the Volkswagen Group.
- Use on vehicles with high-voltage components only for appropriately qualified personnel.
- Compliance with the manufacturer's operating, maintenance and servicing conditions as well as repair guidelines are necessary for proper use.
- Do not pick up or lift persons or animals.
- Use only for loads up to 30kg.
- Do not pick up or lift any objects other than those described in the Volkswagen Group brands' repair instructions.

- Only use in conjunction with a module remover T40424 approved by Volkswagen.
- Do not stand under suspended loads.
- When used in conjunction with the workshop crane, use only on level, horizontal and load-bearing ground.
- In the event of unauthorised modifications to the components by the operator, the manufacturer's liability shall lapse.
- Use and store only in closed and roofed workshops.
- Use only at ambient temperatures from -20 °C to +80 °C.

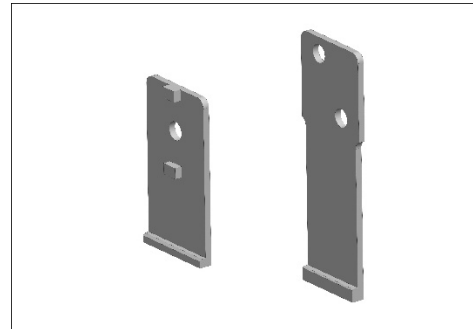


Figure 1 - 1- T40424/7 Hooks

Hook lh
Hook rh

General safety instructions



Read and follow all safety notes and instructions!

Failure to comply with the safety information and instructions can cause serious injury and damage to property.

Observe and follow the safety instructions below.

- If the load handling attachment is not used as intended, safe operation is not guaranteed. The operator alone is responsible for all personal injury and damage to property resulting from improper use.
- Ensure that all users also know the operating instructions of the tools that are additionally required for the work.
- Carefully read and observe the instructions in the technical safety information of the Volkswagen Group brands.
- When using on vehicles with high-voltage components, observe and comply with the basic information and safety instructions for high-voltage vehicles in the relevant information media of the Volkswagen Group brands.
- Ensure that the place of use is sufficiently illuminated.
- Observe the national accident prevention regulations (UVV).
- Use of personal protective equipment (fabric gloves, safety goggles, shoes with protection against electrostatic discharge).
- Position hands and feet so that there is no risk of crushing.
- Only use the load handling attachment for work approved by the Volkswagen Group.
- Only use the load handling attachment with accessories approved by the Volkswagen Group.
- Do not exceed the maximum load capacity of 30 kg.
- Only use the screws supplied or screws with the same sizes and grades.
- Tighten the screw connections to the prescribed torque (see the Volkswagen Group brands' repair guides).
- The hooks may only be used alone or in conjunction with the T40424 and a suitable workshop crane, e.g., VAS 6100, and the sling swivel VAS 691 013 in accordance with the Volkswagen Group brand repair guides.
- Before each use, ensure that the workshop crane and the sling swivel are each in proper condition.
- When used in conjunction with the workshop crane, ensure that the travel path is clear and easily visible.
- Move the load slowly, not jerkily.
- Observe the module remover and the load during all movements.
- The presence of persons under the load and in the danger, zone is prohibited during the movement process.
- Do not work on suspended loads.
- Immediate reporting of damage and defects to a responsible person.
- Ensure that the sling is both securely suspended in the load hook and rests securely in the hook base.
- Stop lowering the load if the lower block or the load touches down or is prevented from lowering further.
- No twisting of the load chain.
- Alignment of twisted chains before hooking the load. (The correct course of the chain links can be seen in the weld seam).
- Alignments of the chain links must always run in one direction.
- Prevent impact with load or hook at all costs.

Operation



Risk of electric shock

The HV battery is a high-voltage storage medium (HVSM). High voltages can cause serious personal injury or property damage

- Observe and follow the hazard classification of the high-voltage system in the repair guide.
- Observe and follow the notes and work instructions in the repair guide.
- Only for appropriately qualified personnel

1. Check the complete module solver and hook and supplementary set for completeness and visible damage such as signs of wear, deformation, breaks, cracks and corrosion damage before each use. If defects are found, do not use the module solvent under any circumstances and discard it immediately.
2. Carry out the necessary preparatory work for the use of the module dissolver in accordance with the repair guidelines of the Volkswagen Group brands.
3. Carry out the work step in the section "Swap Hook"
To do this, unscrew the hook from T40424 and screw on T40424/7 hand tight.

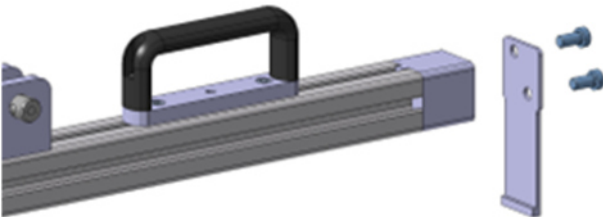


Figure 2- T40424/7 Attach hook to T40424

4. Attach module release T40424 to module.

Slowly loosen battery module with the spindle of the support bridge from the heat-conducting paste on one side with max. 5 Nm.

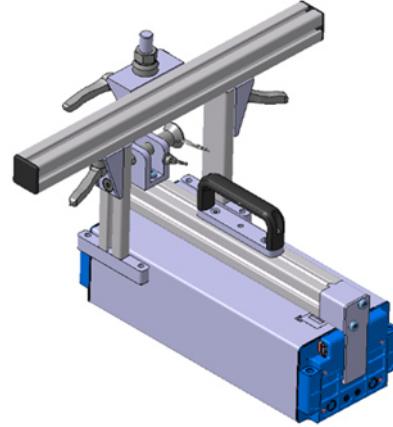


Figure 3- Attaching the module gripper to the module

5. Carry out the step in the section "Lifting out the battery module".
To do this, dismantle the support bridge.
 - Either: Lift out the battery module by the handle. (see figure 4)

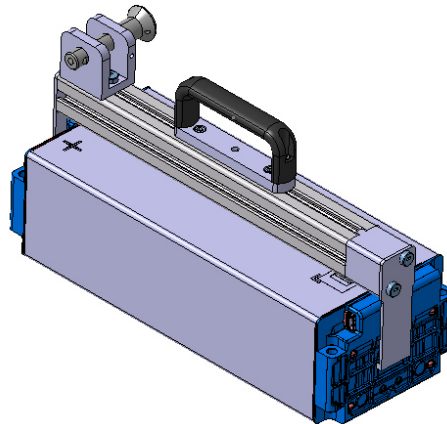


Figure 4- Lifting the module

Or: Attach the battery module to the lifting swivel (VAS 691013) instead of the handle and lift it out using the workshop crane (VAS6100).

Inspection and maintenance instructions

With regular maintenance, the service life of the load handling attachment can be significantly extended. If the load handling attachment is dirty, it must be cleaned. All components must be cleaned so that they are free of oil, dirt and corrosion. Any cleaning method that does not attack the base material is permissible. Avoid processes that can cause hydrogen embrittlement, overheating, material erosion or material deformation, or that can hide cracks and other surface damage.

Before each use, check the complete module loosener and module gripper for completeness and visible damage such as signs of wear, deformation, breaks, cracks and corrosion damage. If defects are found, do not use the module solvent under any circumstances and discard it immediately.

Notice

If the product is modified in a way that has not been agreed with the manufacturer, all warranty claims are void. The manufacturer accepts no liability for damage to persons or objects caused by improper handling of the product.

Declaration of conformity


Declaration of conformity in the sense of the Machinery Directive 2006/42/EC, Annex II 1A


Manufacturer:	PILZ GmbH Grenzstraße 60/62 03238 Finsterwalde Germany
Authorised representative for the compilation of the technical documentation:	PILZ GmbH Grenzstraße 60/62 03238 Finsterwalde Germany
Product name:	Hook
Product type:	Load-carrying equipment
Product number:	T40424/7

The following harmonised standards were applied:

EN ISO 11148-4	Hand-held non-electric machines
EN ISO 12100:2010	Safety of machinery - General principles for design - Risk assessment and mitigation
EN 13155:2003+A2:2009	Cranes - Safety - Loose load handling attachments

 Declaration of conformity

 Declaration of conformity

 Declaration of conformity

Brand:
Type: Hook T40424/7
Performance:

Brand:
Type: Hook T40424/7
Performance:

Brand:
Type: Hook T40424/7
Performance:

We, Pilz GmbH, declare that this product complies with Directive 2006/42/EC and standard EN ISO 11148-4.

In the event of a change to the product not agreed with us, this declaration shall lose its validity.

Pilz GmbH
Grenzstraße 60/62,
03238 Finsterwalde, Germany

Date: 10.10.2023

Signature:



Torsten Lehmann
CEO Pilz GmbH

We, Pilz GmbH, declare that this product complies with the "Supply of Machinery (Safety) Regulations 2008".


Technical documentation is available from Pilz GmbH.

In the event of a product change not agreed with us this declaration loses its validity.

PILZ GmbH
Grenzstraße 60/62, 03238 Finsterwalde,
Germany

Date: 10.10.2023

Signature:



Torsten Lehmann
CEO Pilz GmbH

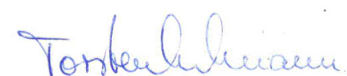
We, Pilz GmbH, declare that this product complies with the standard Regulation on Safety of Machines, Resolution No. 62.

Technical documentation is available from Pilz GmbH. In the event of a product change not agreed with us, this declaration shall lose its validity.

PILZ GmbH
Grenzstraße 60/62, 03238 Finsterwalde,
Germany

Date: 10.10.2023

Signature:



Torsten Lehmann
CEO Pilz GmbH