

Engine support device basic set

**T40091 | T40091/50-51 | T40091/52-53 |
T40091/54-55**

| | | | | | |
|--------------|--|--------------|-----------------------------|--------------|--------------------------------|
| en-gb | Original Instructions | fi | Alkuperäiset ohjeet | pl | Oryginalne instrukcje |
| de | Originalbetriebsanleitung | fr-fr | Instructions d'origine | pt-br | Instruções originais |
| ar | التعليمات الأساسية | he | הוראות מקוריות | pt-pt | Instruções originais |
| bg | Оригинално ръководство за експлоатация | hr | Izvorne upute | ro | Instrucțiuni originale |
| cs | Originální návod k použití | hu | Eredeti útmutató | ru | Инструкции на языке оригинала |
| da | Originale brugsanvisninger | it | Istruzioni originali | sk | Pôvodný návod |
| el | Πρωτότυπο οδηγιών χρήσης | ja | 元の手順 | sl | Originalna navodila za uporabo |
| en-us | Original Instructions | ko | 원래 지침 | sr | Originalna uputstva |
| es-es | Instrucciones originales | lt | Originali instrukcija | sv | Originalinstruktioner |
| es-mx | Instrucciones originales | lv | Instrukcijas oriģinālvalodā | tr | Orijinal Talimatlar |
| et | Originaalkasutusjuhend | mk | Оригинално упатство | uk | Оригінальна інструкція |
| fa | دستورات اصلی | nl | Originele instructies | zh-cn | 原始说明 |
| | | no | Opprinnelige instruksjoner | zh-tw | 原廠操作說明 |

Table of Contents – English (USA)

| | |
|--|-----------|
| General Information | 70 |
| General Safety Instructions | 74 |
| Operating Instructions | 75 |
| Inspection and Maintenance | 76 |
| Declaration of Conformity | 77 |

1 General Information

| | |
|--------------------------|--|
| Product Name: | Engine support device basic set |
| Product Type: | Load Holding Device |
| Product Number: | T40091 |
| Weight: | 19.13 kg |
| Max. Load Capacity: | See Table 2 "Included in Delivery" and Table 3 "Accessories" |
| Static Test Coefficient: | 3.0 |

Table 1: T40091

Intended use:

- ▶ The engine support device basic set (hereafter referred to as engine support device) supports various vehicle components in accordance with the Volkswagen Group brands workshop manuals.
- ▶ The engine support device is used with components of other special tools.

Conditions of use:

- ▶ For qualified workshop personnel only.
- ▶ Use the load holding device only for work approved by the Volkswagen Group.
- ▶ Use only for loads in accordance with Table 2 "Included in Delivery" and Table 3 "Accessories."
- ▶ The maximum load capacity of the individual accessories must not be exceeded.
- ▶ The engine support may only be used with the special tools specified in the workshop manuals of the Volkswagen Group brands.
- ▶ Do not hold or lift any persons or animals.
- ▶ Do not hold or lift items other than those described in the workshop manuals of the Volkswagen Group brands.
- ▶ Do not stand under suspended loads.
- ▶ Use only with the approved accessories (see the workshop manuals of the Volkswagen Group brands).

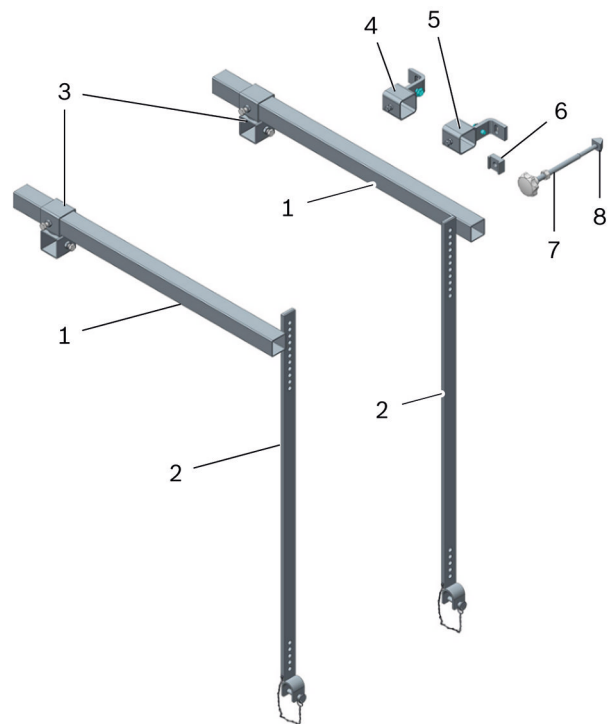


Figure 1: Engine support device basic set T40091

- 1** Square tube T40091/1 (2 pieces)
- 2** Supports T40091/2 (2 pieces)
- 3** Pivoting connector T40091/3 with hexagon head screw M10x25 8.8 (2 pieces)
- 4** Adapter T40091/4 with fixing screw M8x16 8.8 and hexagon flange screw M10x30 10.9
- 5** Adapter T40091/5 with fixing screw M8x16 8.8 and hexagon flange screw M10x30 10.9
- 6** Square nut T40091/7
- 7** Spindle T40091/6
- 8** Protection cap T40091/8

Included in Delivery

| Product Number: | Product Name: | Max. Load Capacity: |
|-----------------|------------------------|---------------------------|
| T40091/1 | Square tube | 408 kg/piece |
| T40091/2 | Support | 250 kg/piece |
| T40091/3 | Pivoting connector | 250 kg/piece |
| T40091/4 + /5 | Adapter | 612 kg/pair |
| T40091/6 + /7 | Spindle and square nut | 510 kg (/6 + /7 together) |
| T40091/8 | Protection cap | - |

Table 2: Included in Delivery

Accessories

| Product Number: | Product Name: | Weight: | Max. Load Capacity: |
|-----------------|------------------------------------|----------------|---------------------|
| T40091/50-51 | Support (left-hand and right-hand) | 2.536 kg/piece | 500 kg/piece |
| T40091/52-53 | Support (left-hand and right-hand) | 2.8 kg/piece | 400 kg/piece |
| T40091/54-55 | Support (left-hand and right-hand) | 1.59 kg/piece | 500 kg/piece |

Table 3: Accessories

1.1 Adapter T40091/50-51, T40091/52-53, T40091/54-55

T40091/50-51

| | |
|--------------------------|------------------------------------|
| Product Name: | Support (left-hand and right-hand) |
| Product Type: | Load Holding Device |
| Product Number: | T40091/50-51 |
| Weight: | 2.536 kg/piece |
| Max. Load Capacity: | 500 kg/piece |
| Static Test Coefficient: | 3.0 |

Table 4: T40091/50-51, T40091/52-53, T40091/54-55

Intended use:

- ▶ Support for the square tubes 10-222A/100 (10-222A-21) of the support bracket 10-222A or T40091/1 to support various Porsche AG units in the vehicle in workshops with qualified and authorized specialists.
- ▶ The adapters may only be used with the components approved by the Volkswagen Group.

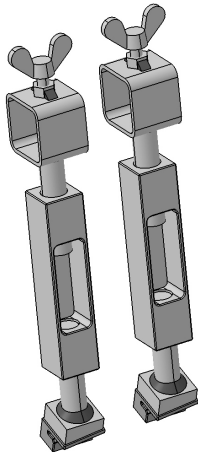


Figure 2: Supports T40091/50-51

T40091/52-53

| | |
|--------------------------|------------------------------------|
| Product Name: | Support (left-hand and right-hand) |
| Product Type: | Load Holding Device |
| Product Number: | T40091/52-53 |
| Weight: | 2.8 kg/piece |
| Max. Load Capacity: | 400 kg/piece |
| Static Test Coefficient: | 3.0 |

Table 5: T40091/52-53

Intended use:

- ▶ Accessories for the supports T40091/50-51 to support various Porsche AG units in the vehicle in the workshops with qualified and authorized specialists.
- ▶ The adapters may only be used with the components approved by the Volkswagen Group.



Figure 3: Supports T40091/52-53

T40091/54-55

| | |
|--------------------------|------------------------------------|
| Product Name: | Support (left-hand and right-hand) |
| Product Type: | Load Holding Device |
| Product Number: | T40091/54-55 |
| Weight: | 1.59 kg/piece |
| Max. Load Capacity: | 500 kg/piece |
| Static Test Coefficient: | 3.0 |

Table 6: T40091/54-55

Intended use:

- ▶ Accessories for the supports T40091/50-51 to support various Porsche AG units in the vehicle in the workshops with qualified and authorized specialists.
- ▶ The adapters may only be used with the components approved by the Volkswagen Group.

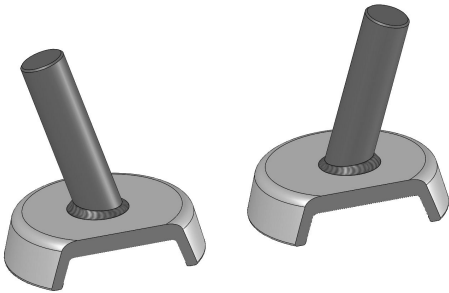


Figure 4: Supports T40091/54-55

2 General Safety Instructions

WARNING

Read and follow all safety notes and instructions!

Failure to follow the safety instructions could result in serious injuries and severe damage to materials.

Observe and follow the safety notes below.

-
- ▶ The load holding device has been specifically constructed for its intended use. The safety of the load holding device can no longer be ensured if it is misused or modified in ways not expressly approved by the manufacturer. Serious personal injuries or severe damage to materials could occur.
 - ▶ Ensure that each person using the load holding device is familiar with these instructions and can access them at all times.
 - ▶ Ensure that all users are also familiar with the instructions of the additional tools and workshop equipment that are necessary for the work.
 - ▶ Carefully read and adhere to the instructions in the technical safety information of the Volkswagen Group brands.
 - ▶ Wear safety shoes (in accordance with ISO 20345, S2).
 - ▶ Wear protective gloves in order to avoid cuts.
 - ▶ Position hands and feet so as to avoid potential crushing hazards.
 - ▶ Use the load holding device only for work approved by the Volkswagen Group.
 - ▶ Use the load holding device only with the accessories approved by the Volkswagen Group.
 - ▶ Do not exceed the maximum load capacity in accordance with Table 2 "Included in Delivery" and Table 3 "Accessories."
 - ▶ Use the engine support device only for work in accordance with the Volkswagen Group brands workshop manuals.
 - ▶ Check the functionality and ease of operation of all movable parts.
 - ▶ Ensure that all required parts are securely connected.
 - ▶ Use screws with the specified quality grade and size (see the Volkswagen Group brands workshop manuals).
 - ▶ Tighten the screws with the specified torque (see the Volkswagen Group brands workshop manuals).
 - ▶ Use only the original locking pins and secure them with the spring cotter.
 - ▶ Check the functionality of the spring cotters.
 - ▶ Use only hexagon flange screws M10x30 10.9 to fasten the adapters T40091/4 and T40091/5 to the vehicle.
 - ▶ Check the functionality of the circlip on the protection cap T40091/8 prior to each use.

3 Operating Instructions

1. Check that the engine support device and the accessory parts are complete and inspect them for visible damages such as signs of wear, deformation, breakages, cracks, and corrosion damages prior to each use. Inspect the rubber lining. Inspect the welds for visible damage such as breakages and cracks. Inspect the functionality of all threads. Do not use the engine support device when defects have been noted and discard it immediately.
2. Assemble the engine support device with the necessary parts and components of other special tools as described in the workshop manuals.

WARNING

Attaching the accessory parts incorrectly could cause the load to tilt or fall!

This could cause serious personal injury or severe damage to materials.

- ▶ Attach the accessory parts exactly as described in the workshop manuals.
- ▶ Observe the minimum screw depth of the supports of 1.5x the threaded diameter for a secure screw connection.
- ▶ Ensure that the screw connections are safe before applying the load.

3. Position the engine support device on the vehicle as described in the workshop manuals.
4. Use screws with the specified quality grade and size.
5. Tighten the screws with the specified torque.

WARNING

Danger of a swiveling or falling load!

Attaching the engine support device incorrectly could cause the load to swivel or fall. This could result in serious injuries and severe damage to materials.

- ▶ Fasten the engine support device to the vehicle as described in the workshop manuals.
- ▶ Use the adapter parts only with the screws with the specified quality grade and size and screw them in with the specified torque in accordance with the workshop manuals.

6. Carry out further work as described in the workshop manuals.

CAUTION

Parts of the engine support device could cause personal injury!

When the engine support device is positioned on the vehicle, persons can bump into it and hurt themselves.

- ▶ Exercise particular caution when working in the engine compartment.

7. Ensure that all parts of the special tool have been removed after completing the repair work.

3.1 Turnable link T40091/3

Position pivoting connector T40091/3 in such a manner that it is only subject to a pressure load.

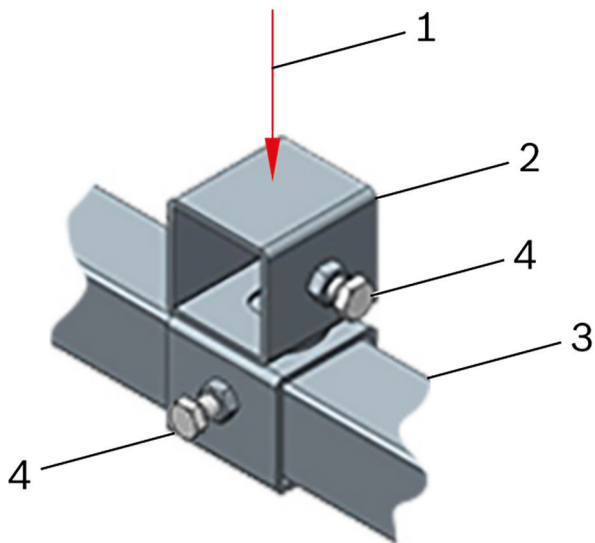


Figure 5: Use of the pivoting connector T40091/3

- 1** Load
- 2** Pivoting connector T40091/3
- 3** Cross beam 10-222A/100
- 4** Hexagon head screw for fastening

4 Inspection and Maintenance

- ▶ Check that the engine support device and the accessory parts are complete and inspect them for visible damages such as signs of wear, deformation, breakages, cracks, and corrosion damages prior to each use. Inspect the rubber lining. Inspect the welds for visible damage such as breakages and cracks. Inspect the functionality of all threads. Do not use the engine support device when defects are noted and discard it immediately.
- ▶ Spare parts are available on request. Use only original replacement parts.
- ▶ Contact your first-level support representative with any queries.

NOTICE

Modifications to this product which have not been expressly approved by the manufacturer shall void any warranty. The manufacturer assumes no liability for personal injury or damage to materials which occur as the result of improper use of this product.



Declaration of Conformity with the Machinery Directive 2006/42/EC, Annex II 1A

| | |
|--|---|
| Manufacturer: | Bosch Automotive Service Solutions GmbH Am Dörrenhof 1 85131 Pollenfeld-Preith Germany |
| Authorized to compile the technical documents: | Bosch Automotive Service Solutions GmbH Am Dörrenhof 1 85131 Pollenfeld-Preith Germany |
| Product Name: | Engine support device basic set |
| Product Type: | Load Holding Device |
| Product Number: | T40091 |
| Product Numbers of the Accessories: | T40091/50-51 T40091/52-53 T40091/54-55 |

We hereby declare that each product described above complies with the relevant clauses of the 2006/42/EC Machinery Directive.

Any modification to a product not expressly approved by the manufacturer will void the validity of this declaration.

The following harmonized standards have been applied:

| | |
|-----------------------|--|
| EN ISO 12100:2010 | Safety of machinery - General principles for design - Risk assessment and risk reduction |
| EN 13155:2003+A2:2009 | Cranes - Safety - Non-fixed load lifting attachments |

Pollenfeld, April 23, 2019

Place, Date

Matthias Wagner, Managing Director