

MLT-SERIES

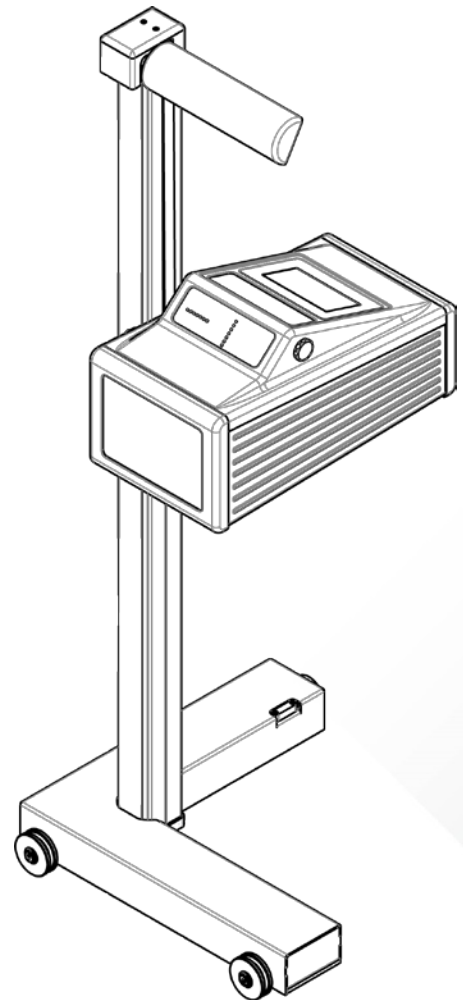


MLT 3000

Headlight Tester

Parts Breakdown

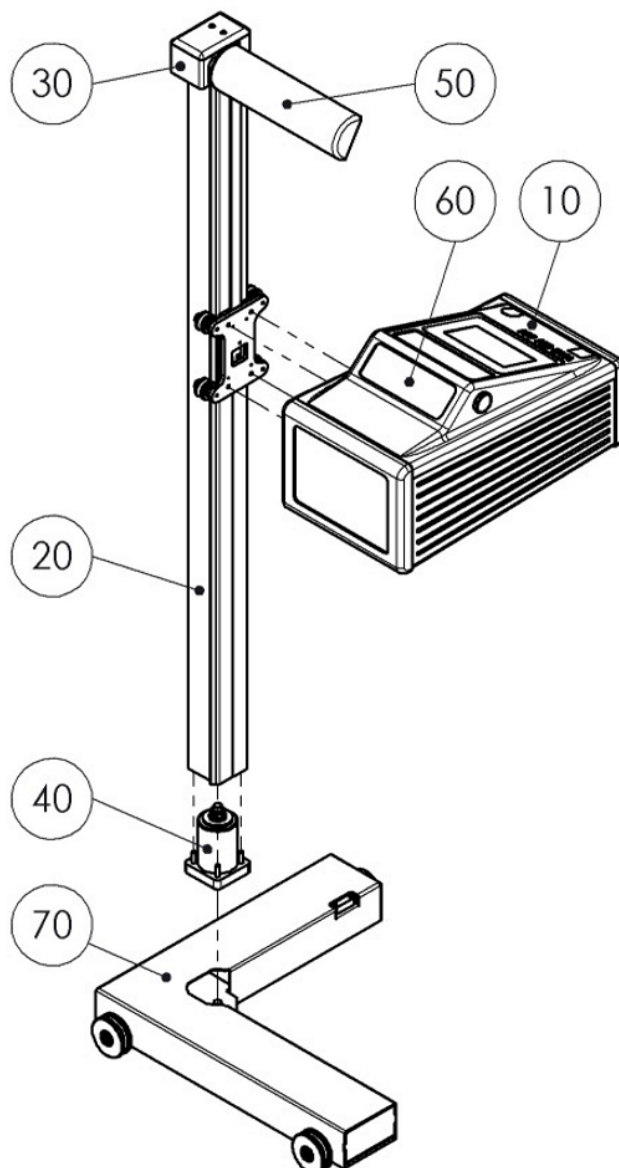
ET380701-en



Contents

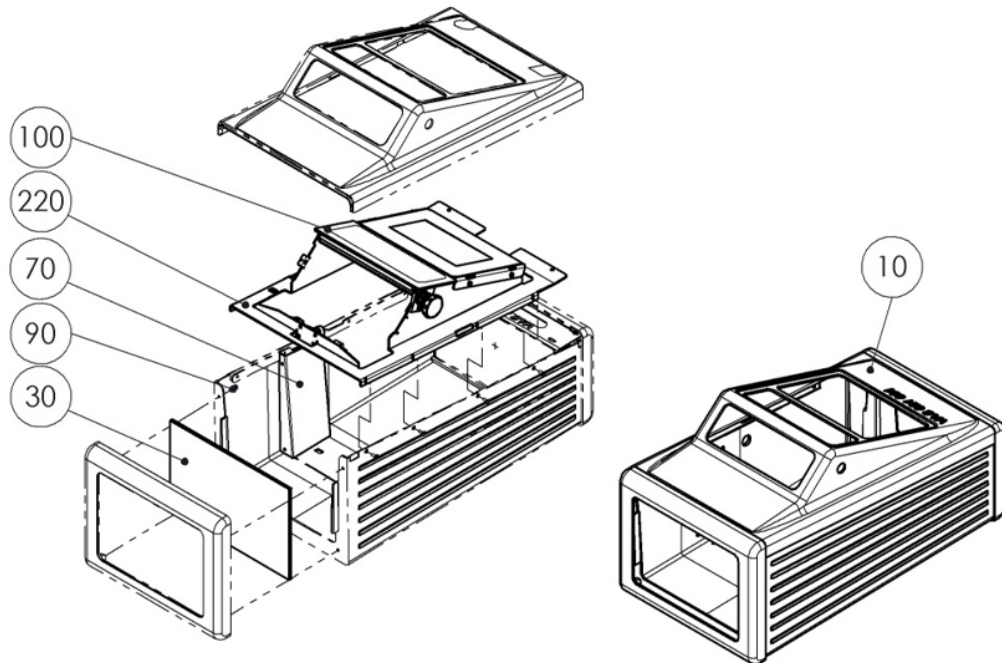
1	Headlight Tester	4
1.1	Case.....	6
1.1.1	Special Components MLT 3000 F	7
1.2	Column Head	8
1.3	Carriage	10
1.3.1	Carriage (Rails)	10
1.3.2	Carriage (Gauge 560mm / Hexagon).....	11
1.3.3	Carriage (Rubber Wheels).....	12
1.3.4	Carriage (Half-Round).....	13
2	Labels	14
3	Electrical Equipment.....	15
3.1	MCD Desk.....	18
4	Company Information.....	19

1 Headlight Tester




No.	Spare Part	Description	Tooltip	Article Number
10	Case, Assy	MLT 3000	Section 1.1	030380 00068 0
	Case, Assy	MLT 3000 F	Section 1.1	030380 00108 0
	Cover Hood			23000610
20	Column			020380 00150 0
30	Column Head	Assy	Section 1.2	030380 00071 0
40	Bearing Bracket	Assy		03 38 10050
50	Mirror	Standard		030380 00083 0
	Mirror	Laser		030380 00098 0
60	Inspection Window			23000490
	Display Unit			030380 00095 0
70	Carriage	Rails	Section 1.3.1	030380 00069 0
	Carriage	Gauge 560mm / Hexagon	Section 1.3.2	030380 00091 0
	Carriage	Rubber Wheels	Section 1.3.3	030380 00093 0
	Carriage	Half-Round	Section 1.3.4	030380 00094 0

1.1 Case

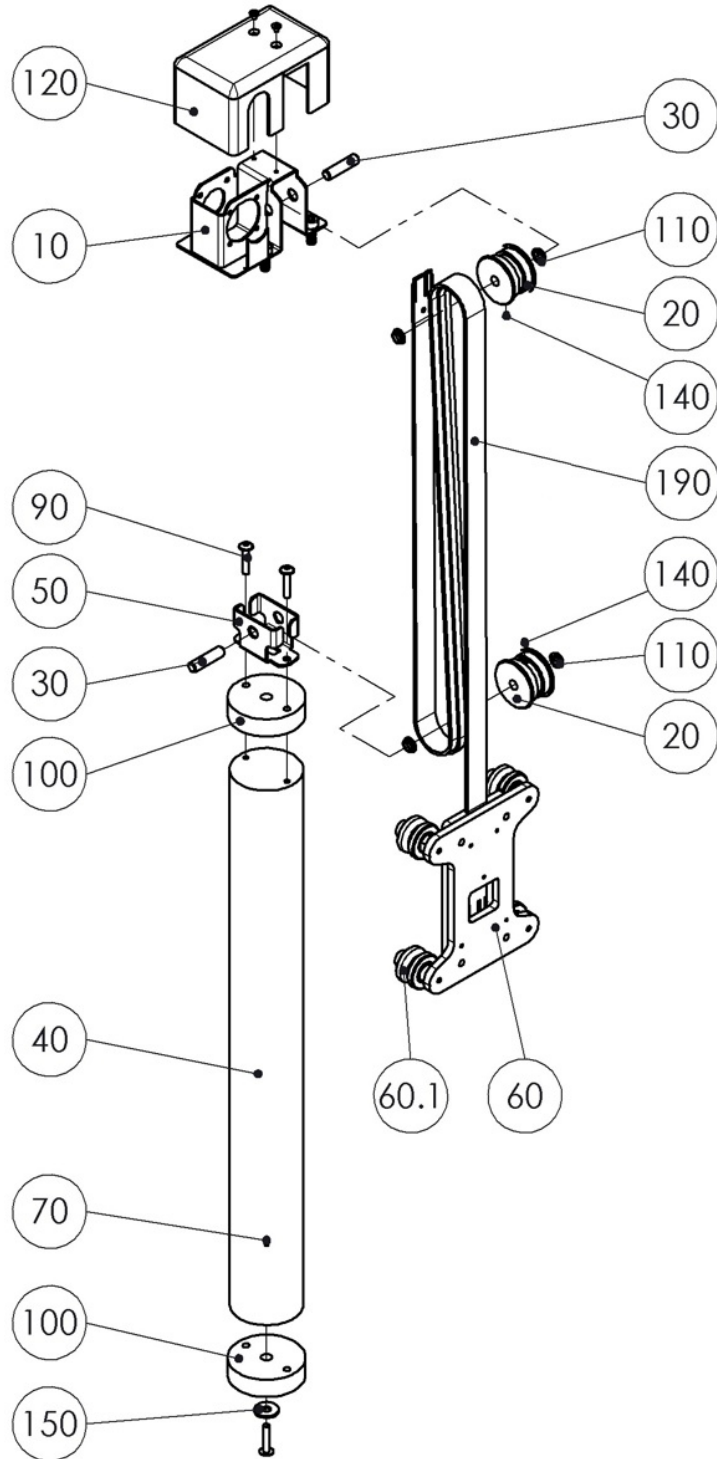


No.	Spare Part	Description	Article Number
10	Case	Assy	030380 00066 0
30	Lens		23000481
70	Cover Plate		020380 00108 0
90	Screw		23000440
100	Inspection Window	with adhesive strip	23000459
220	Electronic Module		030380 00072 0

1.1.1 Special Components MLT 3000 F

No.	Spare Part	Description	Article Number	
10	Distance Sensor		51 3164	
20	Cable Harness	3-pin	51 4119	
30	Dot Laser with Cable		52 0777	
40	OTC-LAN Converter		030380 00109 0	

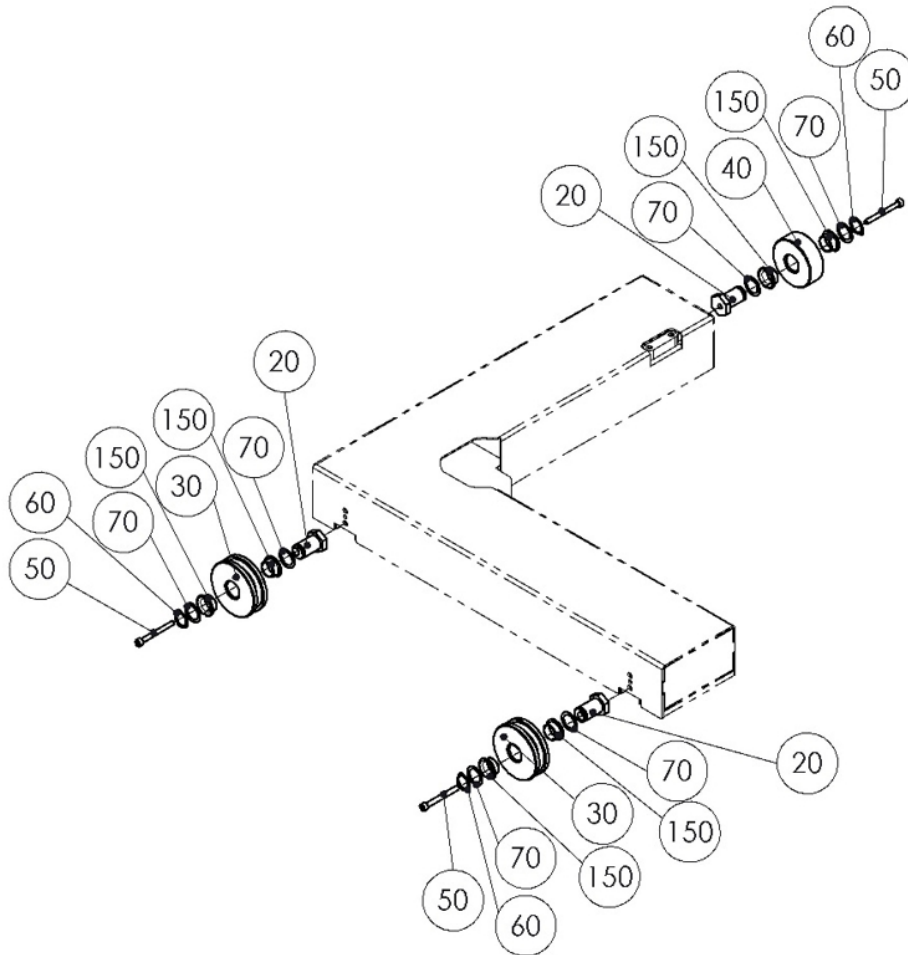
1.2 Column Head



No.	Spare Part	Description	Article Number
10	Base Frame		030380 00080 0
20	Sheave		020380 00124 0
30	Shaft		020380 00125 0
40	Counterweight		020380 00130 0
50	Guide Plate		020380 00131 0
60	Carriage		030380 00082 0
60.1	Carriage Roller		020380 00141 0
70	Dowel Pin	3x20	22 1481 03020
90	Binding Head Screw	M6x30	23 3090
100	Guide		02 38 10055
110	Friction Bearing		24000044
120	Cover		030380 00088 0
140	Threaded Pin	M4x6	22 0914 04006
150	Washer	A8.4	22 9021 08 1
190	Belt	Assy	61 MLT3000 RIEM

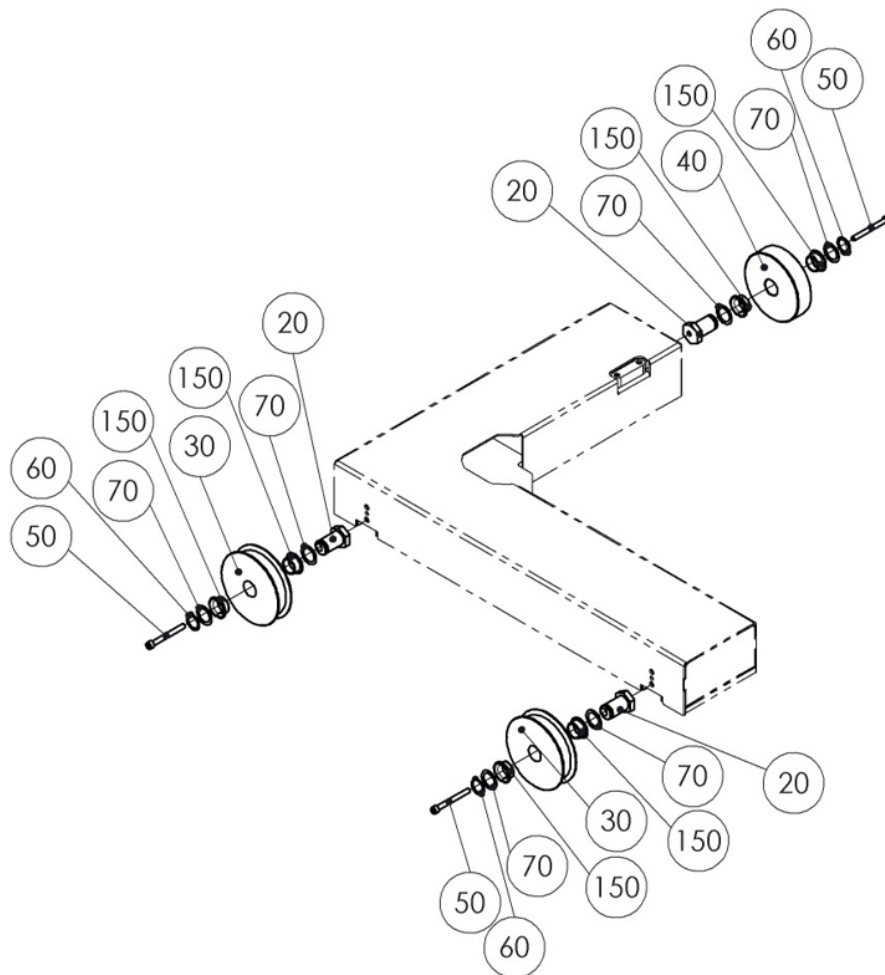
1.3 Carriage

1.3.1 Carriage (Rails)



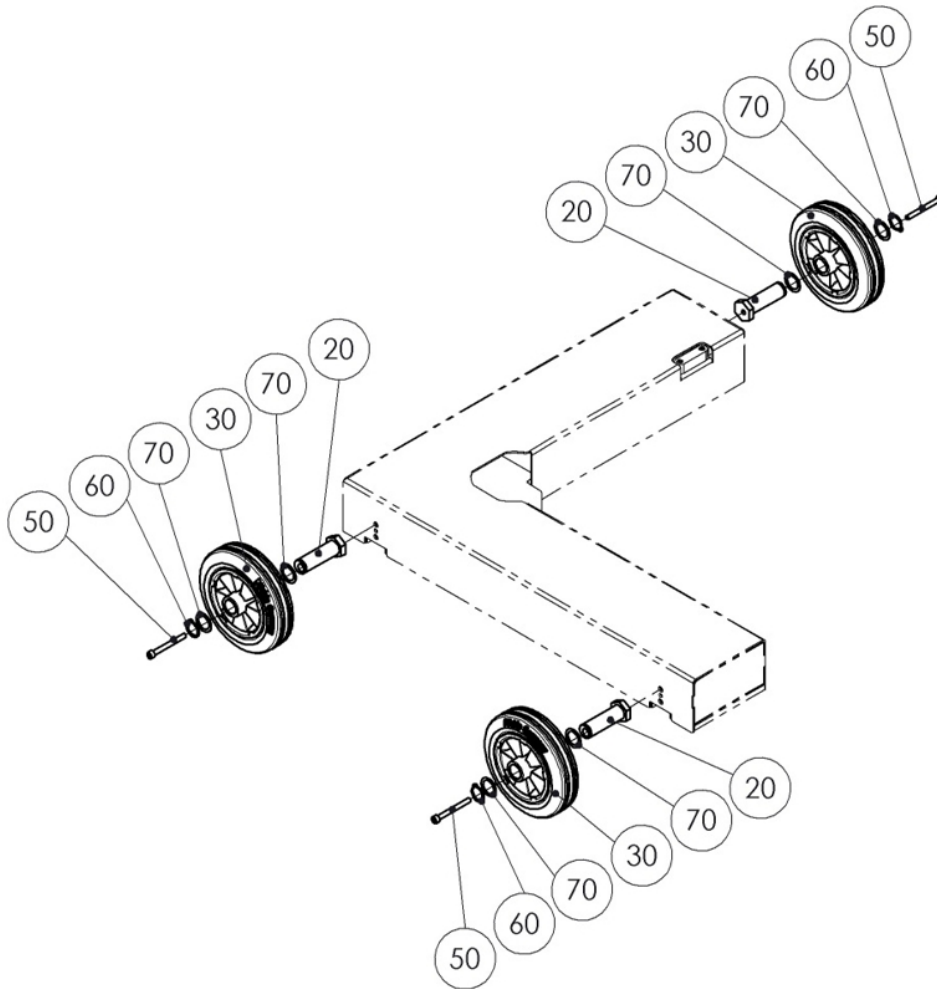
Item No.	Spare Part	Description	Article Number
20	Eccentric		020380 00139 0
30	Guide Wheel		02 38 00060
40	Running Wheel		02 38 00065
50	Allen Screw	M6x60	22 0912 06060 1
60	Snap Ring	20x1.2	22 0471 020 2
70	Shim Ring	20x28x0.5	22 0988 202805 2
150	Friction Bearing		24 1721 1

1.3.2 Carriage (Gauge 560mm / Hexagon)



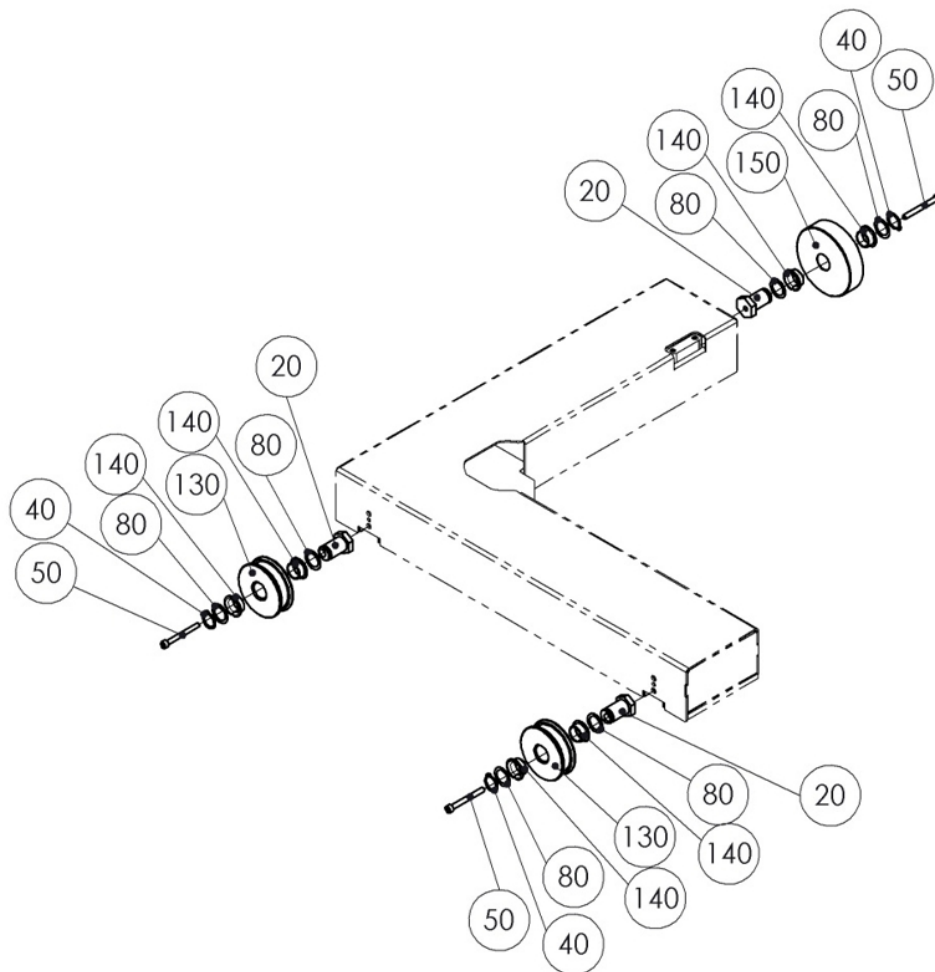
Item No.	Spare Part	Description	Article Number
20	Eccentric		020380 00139 0
30	Guide Wheel		020380 00157 0
40	Running Wheel		020380 00156 0
50	Allen Screw	M6x60	22 0912 06060 1
60	Snap Ring	20x1,2	22 0471 020 2
70	Shim Ring	20x28x0,5	22 0988 202805 2
150	Friction Bearing		24 1721 1

1.3.3 Carriage (Rubber Wheels)




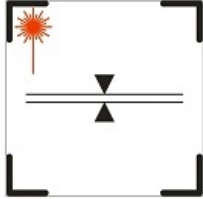
Item No.	Spare Part	Description	Article Number
20	Eccentric		020380 00115 0
30	Roller		23000436
50	Allen Screw	M6x60	22 0912 06060 1
60	Snap Ring	20x1.2	22 0471 020 2
70	Shim Ring	20x28x0.5	22 0988 202805 2

1.3.4 Carriage (Half-Round)

















Item No.	Spare Part	Description	Article Number
20	Eccentric		020380 00139 0
40	Snap Ring	20x1.2	22 0471 020 2
50	Allen Screw	M6x60	22 0912 06060 1
80	Shim Ring	20x28x0.5	22 0988 202805 2
130	Roller		020380 00002 0
140	Friction Bearing		24 1721 1
150	Running Wheel		020380 00156 0




2 Labels

No.	Spare Part	Description	Article Number	
10	Label	Laser Light	54 2139	
20	Label	Adjusting Aid	54 2472	


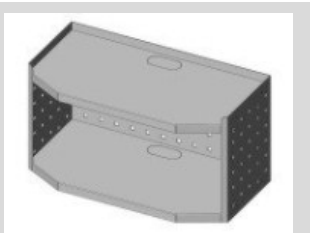

3 Electrical Equipment

No.	Spare Part	Description	Article Number	
10	Patch Cable	0.75m	51 4078	
20	Patch Cable	1m	51 4094	
30	Printed Circuit Board	internal camera	52 0281	
40	Bluetooth Usb Stick		52 0819	
50	Cable	USB A Extension, 2.0m	52 0824	
60	Terminal Strip	3-pin	53 3373	
70	Branch Box	4-pin, Installation Coupling	61 LITE KUDO	

No.	Spare Part	Description	Article Number	
80	Helix Cable	LITE 3.6m	61 LITE SP36	
90	Connecting Cable		61 MLT3000 KA01	
100	Charging Cable	Storage Battery	61 MLT3000 KA02	
110	Power Supply	w. Socket (4-pin)	61 MLT3000 NETZ	
120	Belt		61 MLT3000 RIEM	
130	Converter	Scanbox USB/RS232	91 44 0435	
140	Battery	12V 9.5Ah	52 0293	

No.	Spare Part	Description	Article Number	
150	Cable		52 0831	
160	Cap		52 0832	
170	Display Unit	Touch Screen with Main Board	030380 00087 0	

3.1 MCD Desk

No.	Spare Part	Description	Article Number	
10	Printer Shelf	VZ 955273		
10.1	Printer Shelf	Desk	65 4122	
20	Shelf	VZ 955274		
20.1	Shelf	Desk	65 4123	
30	External PC Storage Compartment	VZ 955277		
30.1	External PC Storage Compartment	Desk	65 4127	

4 Company Information

© MAHA Maschinenbau Haldenwang GmbH & Co. KG

Legal notice based on ISO 16016:

The reproduction, distribution and utilization of this document as well as the communication of its contents to others without explicit authorization is prohibited. Offenders will be held liable for the payment of damages. All rights reserved in the event of the grant of a patent, utility model or design.

The contents of this edition have been checked with great care. However, errors cannot be fully excluded. Subject to technical change without notice.

Document

Document No.: ET380701-en
Approval Date: 2015-07-14

Manufacturer

MAHA Maschinenbau Haldenwang GmbH & Co. KG
Hoyen 20
87490 Haldenwang
Germany

Phone: +49 8374 585 0
Fax: +49 8374 585 590
Fax Parts: +49 8374 585 565
Internet: <http://www.maha.de>
E-Mail: maha@maha.de
Hotline: +49 180 66242 60 for Brake Testers and Test Lanes
+49 180 66242 80 for Automotive Lifts
+49 180 66242 90 for Dynamometers and Emission Testers

Service

AutomoTec GmbH
Maybachstraße 8
87437 Kempten
Germany
Phone: +49 180 66242 50
Fax: +49 180 66242 55
Internet: <http://www.automo-tec.com>
E-Mail: service@automo-tec.com