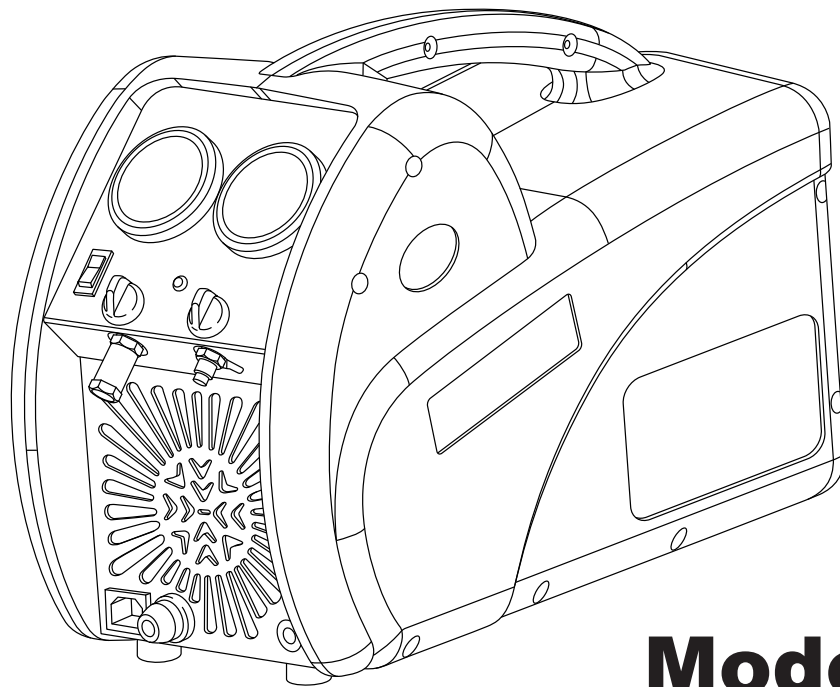


ROBINAIR

Refrigerant Recovery Machine



**Model
No. 25700**

Operating Manual

*Manual de operaciones
Manuel d'utilisation*

SAFETY PRECAUTIONS



WARNING : TO PREVENT PERSONAL INJURY AND / OR EQUIPMENT DAMAGE,



CAUTION - Risk of injury. This equipment should only be operated by certified personnel. Before operating the unit, read and follow the instructions and warnings in this manual. The operator must be EPA 609 certified and familiar with air conditioning and refrigeration systems, refrigerants, and the dangers of pressurized components. If the operator cannot read this manual, operating instructions and safety precautions must be read and discussed in the operator's native language.



PRESSURIZED TANK CONTAINS LIQUID REFRIGERANT. Do not overfill storage tank without using provided float cable and float switch. Use only authorized refillable refrigerant tank (with float switch installed) that meets DOT specs 4BW or 4BA. Do not exceed the maximum psig rating of the storage tank. Overfilling or use of an unauthorized storage tank could result in serious injury or death.



ALL HOSES MAY CONTAIN LIQUID REFRIGERANT UNDER PRESSURE. Contact with refrigerant may cause personal injury. Wear correct protective equipment, including safety goggles and protective gloves. Disconnect hoses using extreme caution.



AVOID BREATHING A/C REFRIGERANT AND LUBRICANT VAPOR OR MIST. Exposure may irritate eyes, nose, and throat. To remove refrigerant from the A/C system, use only equipment certified for the type of refrigerant being removed. Use this equipment in locations with mechanical ventilation that provides at least four air changes per hour. If accidental system discharge occurs, ventilate the work area before resuming service.



CAUTION – DO NOT PRESSURE TEST OR LEAK TEST EQUIPMENT AND / OR VEHICLE AIR CONDITIONING SYSTEMS WITH COMPRESSED AIR. Some mixtures of air and refrigerant have been shown to be combustible at elevated pressures. These mixtures, if ignited, may cause personal injury or property damage.

DO NOT MIX REFRIGERANT TYPES THROUGH A SYSTEM OR IN THE SAME CONTAINER. Mixing of refrigerants will cause severe damage to the unit and the system being serviced.

ALL REFRIGERANT RECOVERED WITH THIS MACHINE IS TO BE RECLAIMED OR DESTROYED. Any refrigerant recovered with this equipment is to be returned to an EPA approved refrigerant reclamation facility that will process it appropriately as per AHRI700 standard or dispose of it. Refrigerant recovered with this equipment cannot be recycled. Recovered mixtures may be flammable and can potentially be ignited causing personal injury or death.

ONLY RECOVER CONTAMINATED REFRIGERANT WITH THIS MACHINE. Any other use could result in the contamination of recovered refrigerant with hydrocarbons and/or leak sealants.



HIGH VOLTAGE ELECTRICITY INSIDE THE UNIT HAS A RISK OF ELECTRICAL SHOCK. Exposure may cause personal injury. Disconnect power before servicing the unit.



TO REDUCE THE RISK OF FIRE, avoid the use of an extension cord because the cord may overheat. If you must use an extension cord, the cord must be No. 14 AWG and as short as possible. Do not use the unit in the vicinity of spilled or open containers of gasoline or other flammable substances.

Additional health and safety information may be obtained from refrigerant and lubricant manufacturers.

EXPLANATION OF SAFETY SIGNAL WORDS



WARNING : Indicates a potentially hazardous situation which, if not avoided, could result in death or serious injury.



CAUTION : Indicates a potentially hazardous situation which, if not avoided, may result in minor or moderate injury.

CAUTION : Used without the safety alert symbol indicates a potentially hazardous situation which, if not avoided, may result in property damage.

TABLE OF CONTENTS

Safety Precautions2
Explanation of Safety Signal Words2
Understanding Refrigerant Recovery4
Standard Operating Instructions5
<i>Setup</i>5
<i>Recovery Procedure</i>6
Storage Tank Information6
Troubleshooting7
Replacement Parts.8
Rebuild Kits and Accessories9
Maintenance9
<i>Inspect and Install the Inlet Filter</i>9
<i>Storage</i>9
Warranty Statement	Inside Back Cover

UNDERSTANDING REFRIGERANT RECOVERY

Refrigerant recovery is the process of taking refrigerant out of a system and storing it in a tank. The following information is critical to achieving the best refrigerant recovery results.

The 25700 refrigerant recovery machine is capable of recovering either contaminated R1234yf or R134a systems.

- The 25700 is built and shipped ready to service contaminated R1234yf systems.
- The 25700 also includes the hose and connections to service contaminated R134a systems. When an R134a system needs to be serviced, refer to the parts list in this manual to determine the necessary components.
- Refer to the Maintenance section of this manual to remove the hose and filter assembly and replace them with the appropriate components for the refrigerant being serviced.

Filters

CAUTION: Filters prevent contamination from entering the unit, which reduces the risk of damage to the unit and the system being serviced.

The 25700 unit is shipped with a filter screen installed behind the inlet fitting. Robinair recommends the user clean the filter screen regularly for optimal unit performance. Failure to use a filter screen will invalidate your warranty.

Valves

⚠ WARNING: To prevent personal injury, open service and tank valves SLOWLY to allow rapid shut-off of gas flow if necessary. Once it is determined there is no danger, the valves may be opened fully.

Isolate large amounts of refrigerant and close valves after use, so if a leak should develop anywhere in the system, refrigerant will not escape to the atmosphere.

Storage Tanks

⚠ WARNING : A storage tank is full when it reaches 80% volume. DO NOT OVERFILL. Due to liquid expansion, the tank could explode if filled to more than 80% volume, possibly causing personal injury and equipment damage. To avoid overfilling, use the included float cable in conjunction with Robinair tank p/n 17990 when recovering contaminated refrigerant with this machine.

This unit is provided with an 80% capacity shut-off float cable. Do not use the 25700 unit without correctly attaching the float cable to a storage tank with an internal float switch. The unit will automatically shut down when the storage tank reaches 80% capacity if the float cable is used correctly. Use only Robinair tank p/n 17990 with this machine.

Shut-off Switch

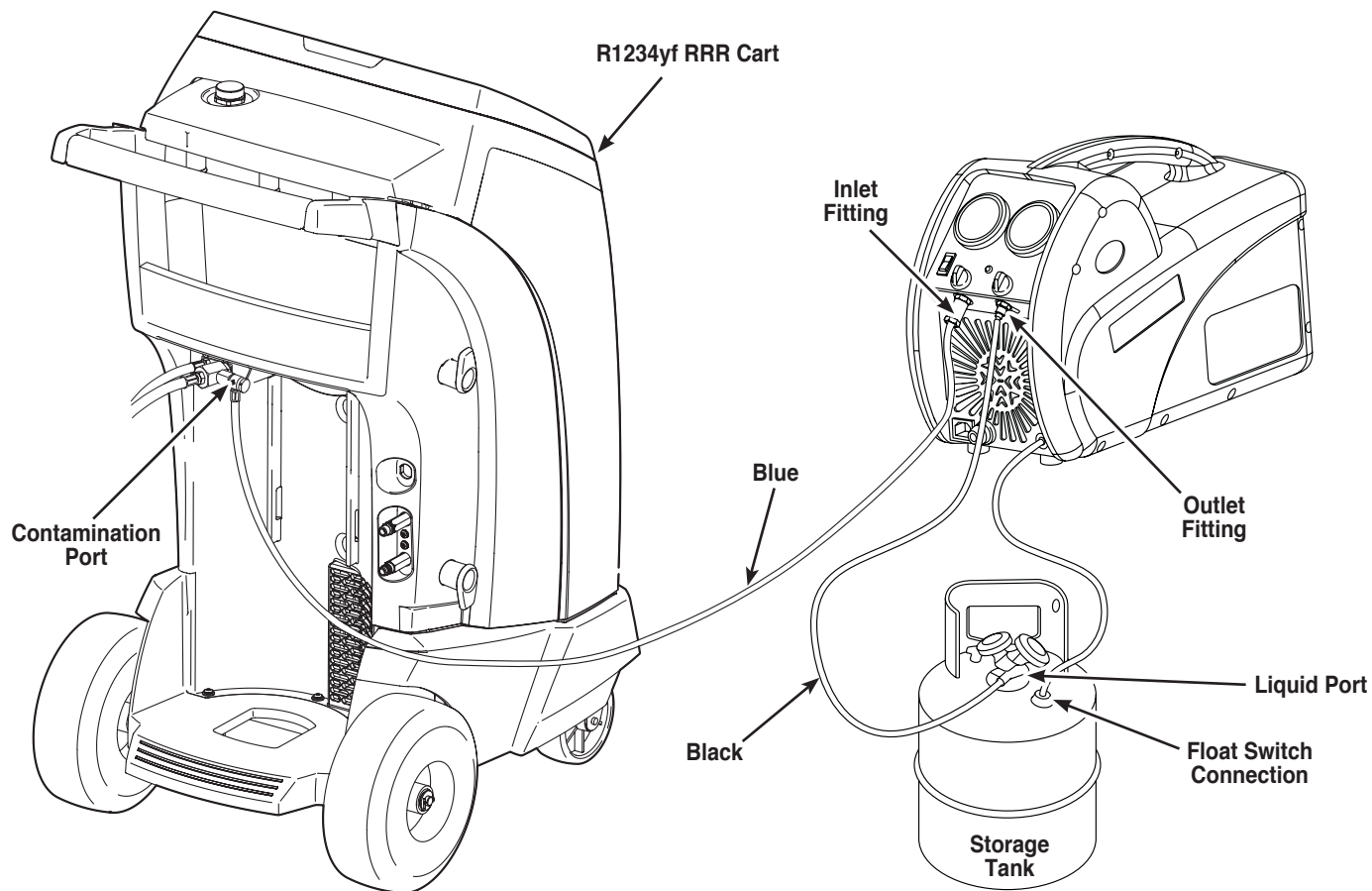
This unit has an internal, high-pressure, shut-off switch. If system pressure rises above 435 psi, the unit shuts off. The shut-off switch automatically resets itself after the pressure drops below 320 psi.

Maintenance

CAUTION :

- **Keep all connections to the refrigeration system dry and clean. Damage will occur if moisture is allowed to enter the system.**
- **The 25700 unit is built and shipped ready to service contaminated R1234yf systems. When a contaminated R134a system needs to be serviced, see the parts list and Maintenance sections in this manual to install the necessary components.**

STANDARD OPERATING INSTRUCTIONS



The 25700 is specifically designed to recover contaminated refrigerant from an R1234yf RRR (recover, recycle, recharge) cart or a contaminated vehicle. For specific instructions and information on the identification and recovery of such refrigerant within the R1234yf RRR cart, refer to the user manual supplied with that machine.

Setup Procedure

1. Place the 25700 unit on a flat, level surface.
2. Verify a clean filter screen is installed behind the inlet fitting.
3. Connect the float cable to the float switch connection on the storage tank.
4. Connect the hose (provided) from the inlet fitting of the unit to the contamination port of the R1234yf RRR cart (or low-side port of the system being serviced).
5. Verify the inlet and outlet valves on the 25700 unit are closed.

⚠ WARNING : A storage tank is full when it reaches 80% volume. DO NOT OVERFILL. Due to liquid expansion, the tank could explode if filled to more than 80% volume, possibly causing personal injury and equipment damage.



Tech Tips

The 25700 will perform at its peak when voltage entering the machine (while operating) is between 115V AC and 122V AC. Lower supply voltages may result in difficulty starting under high head pressure, reduced performance, and / or motor overheating.

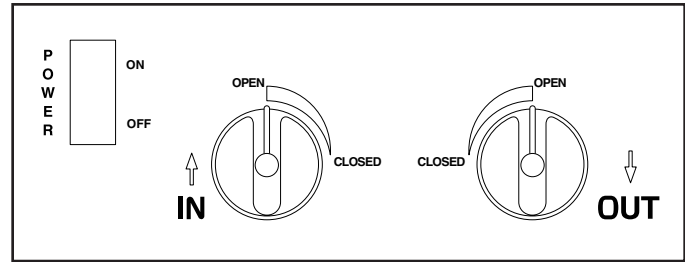
Use an outlet that does not have other appliances (such as lights, machines, etc.) plugged into it.

Do not use an extension cord unless needed. If an extension cord is used, it must be 14 AWG minimum and as short as possible to reduce voltage drops.

STANDARD OPERATING INSTRUCTIONS

Recovery Procedure

1. Connect the unit to a 115V outlet.
2. Slowly open the liquid valve of the storage tank while watching hoses and connections for leaks.
3. Open the outlet valve on the 25700 unit.
4. Toggle the power switch to the ON position.
5. Slowly open the inlet valve on the unit. *Note: If the unit begins to “knock”, slowly throttle back (close) the inlet valve until the noise stops.*
6. Run the 25700 until the desired vacuum is achieved.
7. Toggle the power switch OFF.
8. Close the outlet valve of the 25700.
9. Allow the machine to sit for 5 minutes.
10. Monitor the inlet pressure gauge to determine the presence of any remaining refrigerant.



11. If the inlet gauge displays a vacuum for the entire 5 minutes, turn the inlet valve on the 25700 to the CLOSED position.
12. If the inlet gauge displays a pressure above atmospheric pressure, repeat Steps 2–11 until vacuum is achieved. This will indicate no refrigerant remains in the system being serviced.

STORAGE TANK INFORMATION

Type of Tank

Use only authorized, refillable, refrigerant storage tanks. Federal regulations require refrigerant to be transported only in containers meeting DOT specs. 4BW or 4BA. Cylinders used in conjunction with this equipment must be permanently marked with 20 mm black print that says: “**CONTAMINATED REFRIGERANT — DO NOT USE. MUST BE RECLAIMED or DESTROYED by an EPA authorized facility**”.

Only use Robinair tank, p/n 17990, with this machine.

NEVER use a standard disposable 30 lb. storage tank (the type of container in which new refrigerant is sold) to recover refrigerant.

Working Pressure

Storage tanks are designed for different working pressures. Robinair strongly recommends the use of 400 psi cylinders.

⚠ WARNING: To prevent personal injury, do not exceed the rated working pressure of the storage tank. At minimum, the 25700 requires the use of a 350 psi storage tank.

Storage

Store refrigerant tanks in a cool, dry place.

Leakage

Some storage tanks have valves that were not correctly seated when manufactured. Keeping caps on the valves will guard against refrigerant leakage.

TROUBLESHOOTING



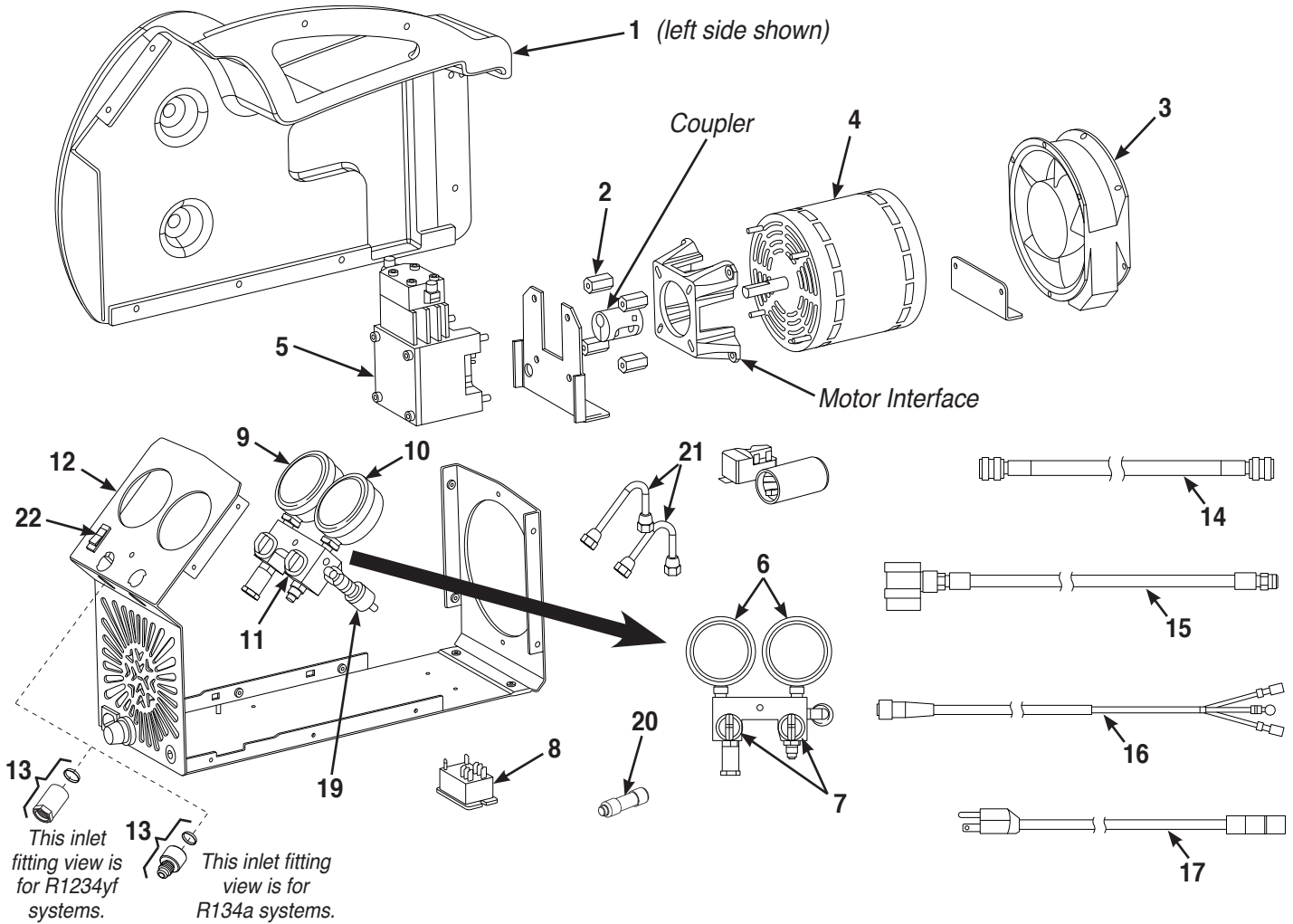
WARNING: TO PREVENT PERSONAL INJURY AND / OR EQUIPMENT DAMAGE,



ALLOW ONLY QUALIFIED PERSONNEL TO OPERATE AND REPAIR THIS UNIT. Before operating or repairing the unit, read and follow the instructions and warnings in this manual. The technician must be familiar with air conditioning and refrigeration systems, refrigerants, and the dangers of pressurized components. If the technician cannot read this manual, operating instructions and safety precautions must be read and discussed in the technician's native language.

Symptom	Possible Cause	Possible Solution
Unit will not turn on	<ol style="list-style-type: none"> 1. Power cord not plugged in. 2. Bad power outlet. 3. Machine is in high-pressure shut-off. 4. Motor is in thermal overload. 5. Blown or bad fuse. 	<ol style="list-style-type: none"> 1. Check power cord at wall and unit. 2. Try a different outlet. 3. Reduce head pressure to below 320 psi. 4. Allow motor / unit to cool down. 5. Check / replace fuse.
Compressor tries to start, but just buzzes	<ol style="list-style-type: none"> 1. Low voltage at power source. 2. Extension cord too long, or too small. 	<ol style="list-style-type: none"> 1. Locate / use better outlet. 2. Reduce length of extension cord. Increase size (gauge) of extension cord (14 AWG minimum).
Machine pumps into high-pressure shut-off	<ol style="list-style-type: none"> 1. Output valve on machine is closed. 2. Recovery cylinder valve closed. 3. Head pressure too high. 	<ol style="list-style-type: none"> 1. Check output valve. 2. Check recovery cylinder valve. 3. Check output hoses for restrictions or kinks. Reduce head pressure.
Slow recovery	<ol style="list-style-type: none"> 1. Trapped liquid in system. 2. Restriction in refrigerant flow path. 	<ol style="list-style-type: none"> 1. Momentarily cycle system compressor to move trapped refrigerant. 2. Check inlet hose for restrictions or kinks. Remove Schrader valves and core depressors from hoses (if possible). Use larger hoses.
Blown fuse	<ol style="list-style-type: none"> 1. Electrical short of float cable. 2. Electrical short of tank float switch. 	<ol style="list-style-type: none"> 1. Replace float cable. 2. Replace tank float switch.

REPLACEMENT PARTS



Item No.	Part No.	Qty.	Description
1	564651	1	Case Kit (includes both case halves)
2	564650	1	Interface Kit (includes compressor bracket, motor bracket, motor-compressor interface, coupler w/ hardware, spacers)
3	RA17416	1	Fan Replacement
4	SK-6005	1	Motor Kit (includes motor, relay, capacitor, hardware)
5	563640	1	Compressor Replacement
6	GA1000	1	Gauge Lens (1 ea.)
7	564649	1	Manifold Knob Kit (includes red and blue manifold knobs)
8	EL1500	1	Relay
9	SK-6003	1	Low-side Gauge Kit (includes low-side gauge, lens)
10	SK-6022	1	High-side Gauge Kit (includes high-side gauge, lens)
11	563627	1	Manifold Assembly Replacement
12	564648	1	Panel Kit (includes front and back panels)

Item No.	Part No.	Qty.	Description
13	564647	1	Inlet Fitting / Filter Screen Kit (For R1234yf only ; includes inlet fitting, filter screen, o-ring)
	SK-6001	1	Filter Screen Replacement Kit (For R134a only ; includes inlet fitting, filter screens, o-ring)
14	564256	1	Black Recovery Hose Assembly
15	563996	1	Blue Low-side Recovery Hose Assembly (For R1234yf only)
	577869	1	Blue Low-side Recovery Hose Assembly (For R134a only)
16	564040	1	Tank Connection Harness
17	551628	1	Power Cord
18	564646	1	Hardware Kit (includes all unit hardware, fan screen)
19	555385	1	High Pressure Switch
20	564613	1	Fuse
21	564645	1	Tube Kit (includes inlet/outlet tubes)
22	RA19343	1	Power Switch

REBUILD KITS AND ACCESSORIES

Part No.	Description
SK-6005	Motor Replacement Kit
SK-6006	Compressor Rebuild Kit (includes piston seals, valves, springs, o-rings)
SK-6007	Valve Rebuild / Replacement Kit (includes inlet /outlet valves and springs, o-rings)
RA17416	Fan Replacement Kit

Part No.	Description
564648	Panel Replacement Kit
SK-6003	Low-side Gauge Replacement Kit
SK-6022	High-side Gauge Replacement Kit
17990	30 lb. Contaminated Refrigerant Tank
577867	R134a Conversion Kit (includes low-side recovery hose assembly and inlet fitting & filter)

MAINTENANCE

⚠ CAUTION : To prevent personal injury,

- Disconnect the 25700 from the power supply before performing maintenance.
- Slowly and carefully remove the inlet hose from the unit to maintain the filter. All hoses may contain liquid refrigerant under pressure. Contact with refrigerant may cause personal injury. Wear correct protective equipment, including safety goggles and protective gloves. Disconnect hoses using extreme caution.

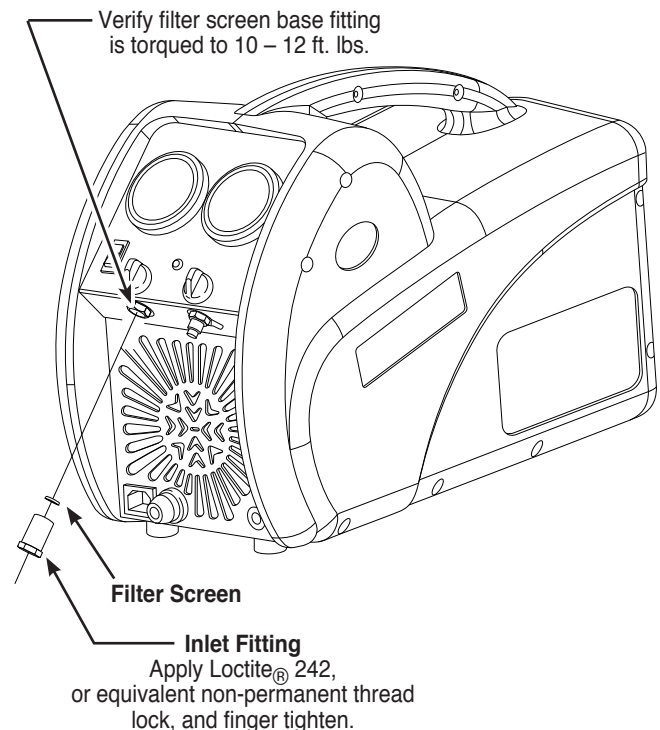
Inspect and Install the Inlet Filter

1. Before performing a refrigerant recovery, inspect and clean the filter screen in the inlet fitting on the 25700 unit. Replace the filter screen, if necessary. Ensure the correct inlet fitting and filter is used for the type of refrigerant being serviced.

A filter screen greatly reduces the risk of damage to the unit by preventing foreign material from entering the unit and the system being serviced. Failure to use a filter screen will invalidate the warranty.

Storage

1. Empty refrigerant from the unit into a storage cylinder. Liquid refrigerant left in the unit's condenser may expand, causing damage to components.
2. Completely evacuate the 25700 of any residual refrigerant, and purge it with dry nitrogen before putting it in storage for a long period of time.



FULL ONE-YEAR LIMITED WARRANTY

Unit Serial No. _____

This product is warranted to be free from defects in workmanship, materials and components for a period of one year from date of purchase.

The following restrictions apply:

1. This warranty is non-transferable. All warranty claims must be made within the warranty period. Proof of purchase must be supplied with the product when returned.
2. The warranty applies to product in normal use only, as described in this operating manual. The product must be maintained and serviced as specified.
3. If the product fails, it will be repaired or replaced at the option of the manufacturer. Warranty service claims are subject to factory inspection for product defects. The manufacturer is the sole determiner of warranty coverage. If during the warranty evaluation it is determined that proper maintenance was not performed, or that the product has been used in any way other than the purpose for which it was designed, the manufacturer reserves the right to void the warranty.
4. Normal wear items (seals, filters, etc.) are specifically excluded from this warranty, unless found by the manufacturer to be defective.

This warranty does not apply if the product or product part is damaged by accident, misuse, tampering with, or modifying in anyway. The manufacturer is not responsible for any additional costs associated with a product failure including, but not limited to, loss of work time, loss of refrigerant, or unauthorized shipping and/or labor charges.

Use of this product with any unauthorized refrigerants or chemicals will void the warranty.

Warranty Service:

1. Outside of the United States of America, contact your local Robinair distributor.
2. Inside the United States of America, call 1-800-327-5060 for a Return Material Authorization (RMA) number. Instructions on where to send the product will be provided.

GARANTIE LIMITÉE COMPLÈTE D'UN AN

N° de série de l'appareil _____

Ce produit est garanti contre les défauts matériels et de fabrication pour une durée d'un an à compter de la date d'achat.

Toutefois, les restrictions suivantes s'appliquent :

1. Cette garantie est non transférable. Toute réclamation au titre de la garantie doit être soumise durant la période de garantie. La preuve d'achat doit être fournie avec le produit lors d'un retour.
2. La garantie s'applique uniquement au produit utilisé dans des conditions de fonctionnement normales conformément au manuel d'utilisation. Il doit être entretenu et réparé conformément aux spécifications.
3. Si le produit fait l'objet d'une défaillance, il sera réparé ou remplacé à la discrétion du fabricant. Les réclamations au titre de la garantie sont sujettes à l'inspection en usine du produit défectueux. La couverture de la garantie est à la seule discrétion du fabricant. Si l'évaluation de la garantie démontre qu'aucun entretien approprié n'a été effectué ou que le produit a été utilisé dans un but autre que celui pour lequel il a été conçu, le fabricant se réserve le droit d'annuler la garantie.
4. Les composants d'usure normale (joints, filtres, etc.) sont exclus de cette garantie, à moins que le fabricant ne constate qu'ils sont défectueux.

Cette garantie n'est pas applicable si le produit ou les éléments du produit sont endommagés à la suite d'un accident, d'un usage abusif, d'une altération ou d'une modification quelconque. Le fabricant ne peut être tenu responsable de tout coût supplémentaire lié à la défaillance du produit incluant, sans toutefois s'y limiter, les interruptions de fonctionnement, la perte de fluide frigorigène, la contamination des fluides frigorigènes et l'expédition et/ou les frais de main-d'œuvre soumis par des ateliers non autorisés.

L'utilisation de ce produit avec des fluides frigorigènes ou produits chimiques non autorisés annulera la garantie.

Assistance à la garantie :

1. À l'extérieur des États-Unis, communiquez avec le concessionnaire Robinair de votre région.
2. Aux États-Unis, composez le 1-800-327-5060 pour obtenir un numéro d'autorisation de retour d'article. Des directives sur l'endroit où retourner le produit vous seront fournies.

GARANTÍA LIMITADA COMPLETA POR UN AÑO

Número de serie de la unidad _____

Se garantiza que este producto no posee defectos de mano de obra, materiales y componentes por el período de un año a partir de la fecha de compra.

Aplican las siguientes restricciones:

1. Esta garantía no es transferible. Todo reclamo de garantía se debe hacer dentro del período de garantía. Se debe proveer un comprobante de compra con el producto al devolverlo.
2. La garantía aplica al producto en uso normal únicamente, como lo indica este manual de funcionamiento. El producto debe contar con un servicio y mantenimiento según lo especificado.
3. Si falla el producto, será reparado o reemplazado a discreción del fabricante. Los reclamos de servicio de garantía están sujetos a inspección autorizada de defectos del producto. El fabricante es el único determinante de la cobertura de la garantía. Si durante la evaluación de la garantía se determina que no se ha llevado a cabo el mantenimiento apropiado, o que el producto ha sido utilizado para diferentes propósitos de los que fue diseñado, el fabricante se reserva el derecho de invalidar esta garantía.
4. Los elementos normales de desgaste (sellos, filtros, etc.) están específicamente excluidos de la garantía, a menos que el fabricante los encuentre defectuosos.

Esta garantía no se aplica si el producto o parte del producto es dañado accidentalmente, por uso inadecuado o ha sido alterado o modificado de cualquier manera. El fabricante no es responsable de los costos adicionales relacionados con fallas en el producto, que incluyen pero no se limitan a: tiempo improductivo, pérdida de refrigerante o envío no autorizado y/o cargos por mano de obra.

La utilización de este producto con cualquier refrigerante o químico no autorizado invalidará esta garantía.

Servicio de garantía:

1. Fuera de los Estados Unidos de América, contacte a su distribuidor de Robinair local.
2. Dentro de los Estados Unidos de América, llame al 1-800-327-5060 para obtener un número de Autorización de retorno de material (RMA). Se proveerán instrucciones sobre a dónde enviar el producto.

ROBINAIR

Owatonna, MN 55060
Telephone: 800.327.5060
Fax: 866.287.722
www.robinair.com